

ARKETIPO / INDOOR

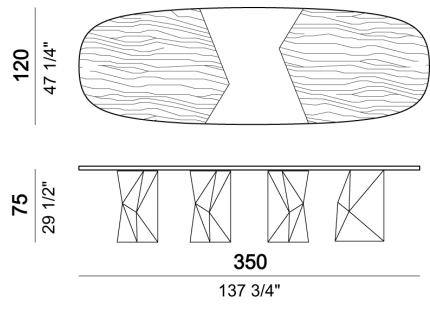
TABLE ELEMENTS



TOP: combination of materials: MDF veneered in thermo-treated eucalyptus or in Carbon black wood and marble Arabesque Grey, Slate Grey, Niveo White, Flamingo Quartz, Tangerine Onyx, Silver Rift touch, Emerald Rift or tainted Caesar Touch travertine.

BASE: metal, finishes: liquid burnished or micaceous brown. One side of the base is covered with a marble panel (same finish as the top).

Dining table - wood and marble top, metal and marble base.



Dining table - wood and marble top, metal and marble base.

