

ARKETIPO / INDOOR

## BOOKCASE MORE

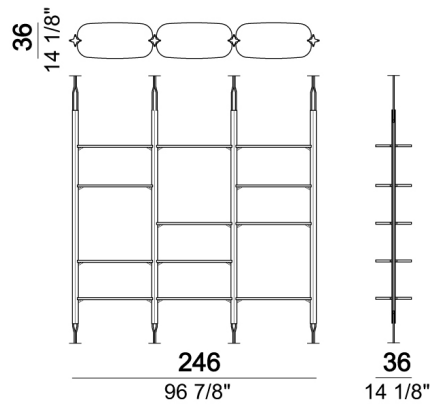


**STRUCTURE:** uprights in anodized metal, titanium finish; feet and ceiling supports bronze varnished.

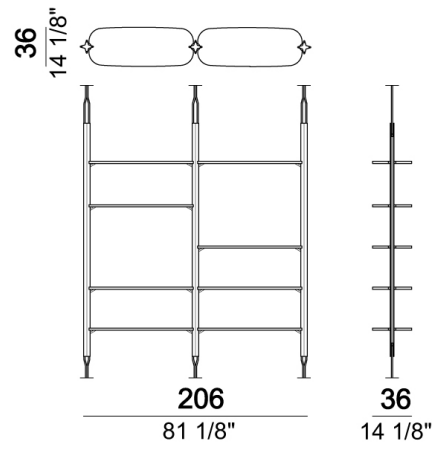
**SHELVES:** MDF veneered in thermo-treated eucalyptus.

**NOTE:** The bookshelf can be fixed to the wall or to the ceiling. The supplied hardware is suitable for both versions.

4 uprights + 12 shelves 80 cm



3 uprights + 8 shelves 100 cm€



3 uprights + 10 shelves 80 cm

