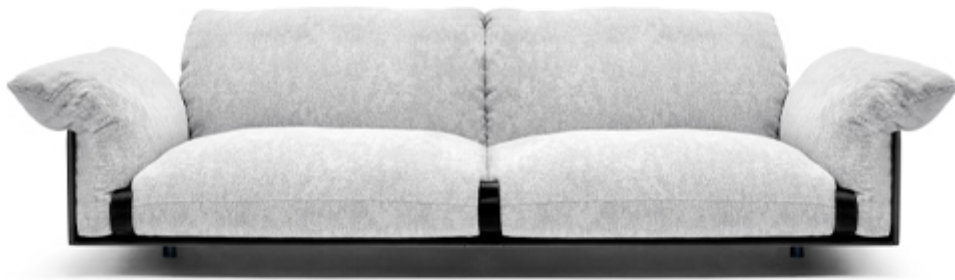


ARKETIPO / INDOOR

SOFA WIDEBOY



STRUCTURE: metal

FRAME UPHOLSTERY: expanded polyurethane T40P covered with coupled synthetic lining 6mm.

ARMS AND BACK UPHOLSTERY: quilted downproof 100% cotton cover, filling in feather blend (50% polyester fibre and 50% goose feathers)

SEAT UPHOLSTERY: multi-density expanded polyurethane (35EM + G401 + CD18SS + memory 28SR3) covered with cotton lining filled with 100% goose feathers and synthetic lining 3mm.

SPRINGING: electrowelded mesh

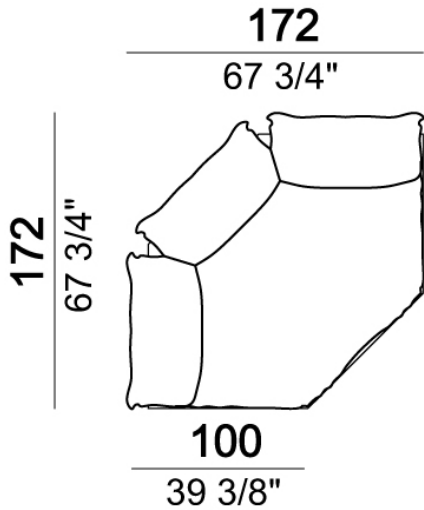
SEAT HEIGHT: 42 cm

ARM HEIGHT: 68 cm

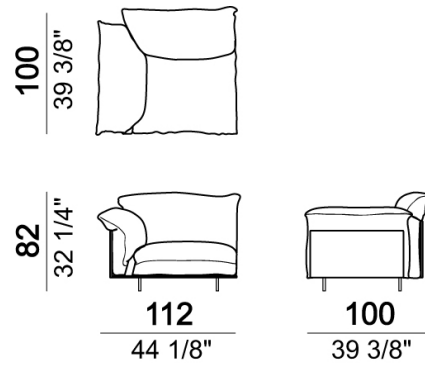
PRICE CALCULATION: To calculate the total price of each unit, please sum the prices of the two columns: A (structure) + B (cushions) even when the unit is completely covered with only one fabric or leather.

ONLY COVER PRICE CALCULATION: To calculate the price of the cover, please sum the prices of the two columns: AX (structure) + BX (cushions) even when the unit is completely covered with only one fabric or leather.

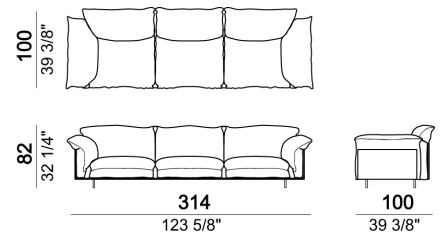
Corner



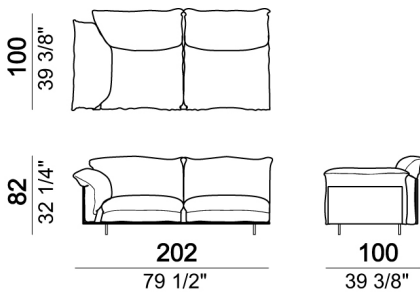
Right or left unit, right or left corner unit, back cushion 95 cm



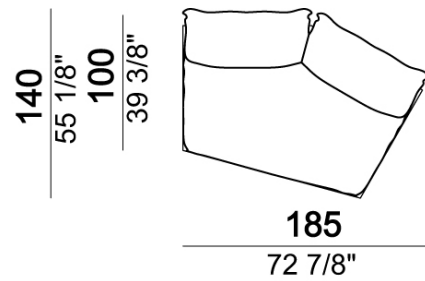
Sofa /corner sofa, back cushions 95 cm



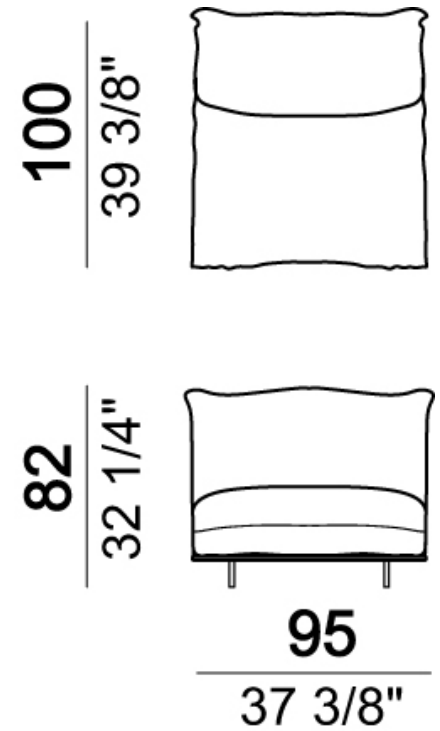
Right or left unit, right or left corner unit, back cushions 95 cm



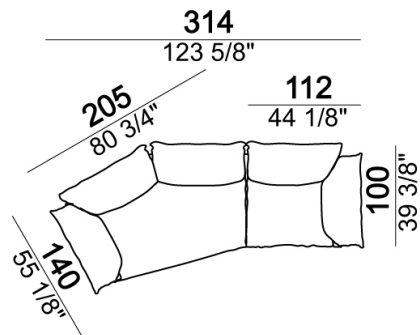
Central unit with angle 30°, back cushions 95 cm



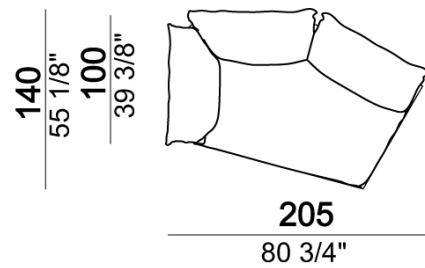
Central unit



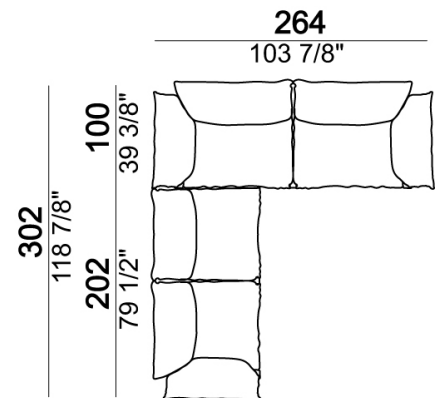
Composition B (right unit 112 cm + left unit with angle 30°)



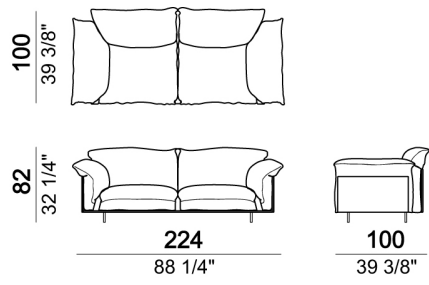
Unit with angle 30°, back cushions 95 cm



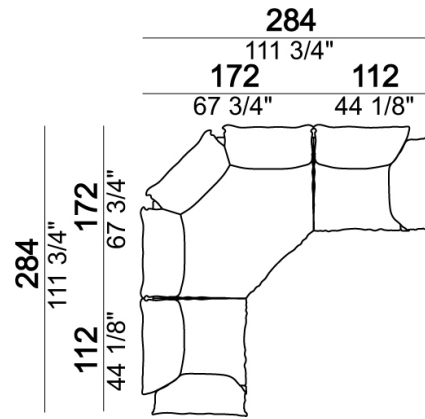
Composition A (left corner sofa 264 cm + left unit 202 cm)



Sofa, back cushions 95 cm



Composition C (left unit 112 cm + corner 172x172 cm + right unit 112 cm)



Sofa/corner sofa, back cushions 115 cm

