

ARKETIPO / INDOOR

SOFA PLAT

designed by Manzoni e Tapinassi 2004



STRUCTURE: varnished metal.

FRAME UPHOLSTERY: multi-density expanded polyurethane (D32PH+D30) covered with synthetic lining.

SEAT CUSHION UPHOLSTERY: multi-density expanded polyurethane (D40-memory foam) covered with synthetic lining (Cotherme).

BACK CUSHION UPHOLSTERY: expanded polyurethane D30 covered with Dacron 350gr and white cotton lining.

ROLL UPHOLSTERY: expanded polyurethane covered with coupled synthetic lining 180gr.

SPRINGING: electrowelded mesh.

SEAT HEIGHT: 40 cm – 44 cm with feet h.8 cm.

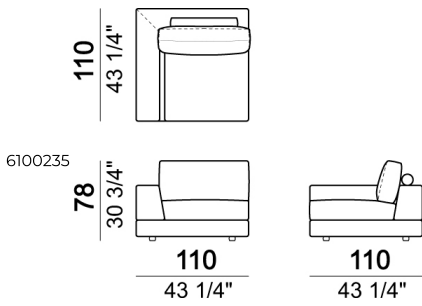
ARM HEIGHT: 54 cm.

FEET: plastic h.4 cm. The height of the foot can be made 8 cm on request, without extra charge.

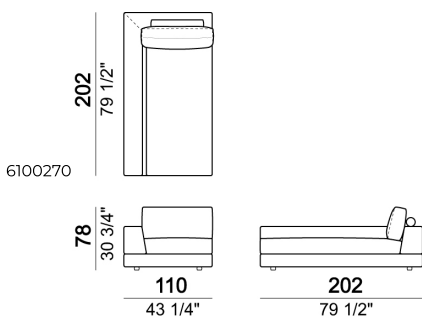
ACCESSORIES: bookshelves and trays in marble or in smoked glass.

Metal parts of the marble bookshelves: micaceous brown, oxy grey or black nickel.

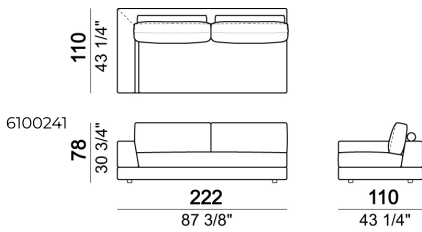
Right or left unit



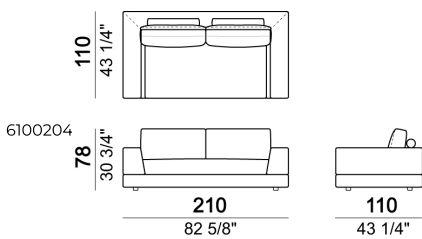
Relax unit type A 110 cm with right or left full arm



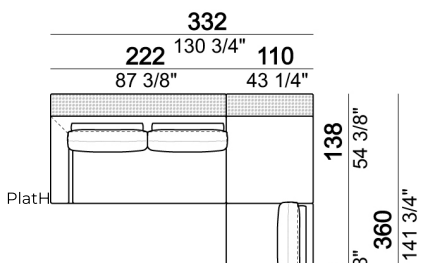
Right or left unit



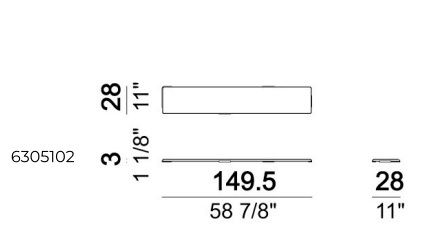
Sofa



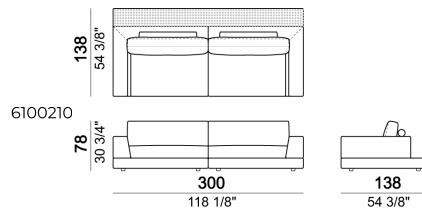
Composition "H" (left unit 222 cm with back plat - depth 138 cm + right unit 222 cm + pouf with side plat).



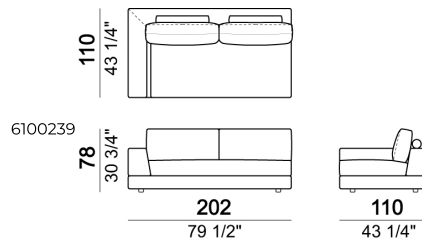
Tray



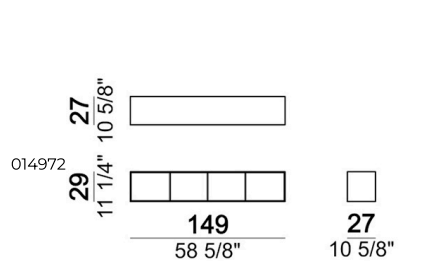
Sofa with back plat - depth 138 cm.



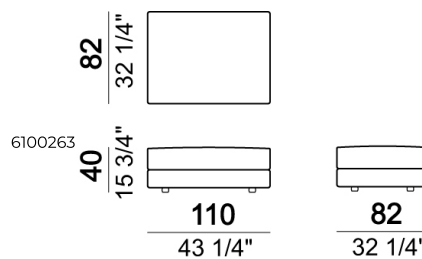
Right or left unit



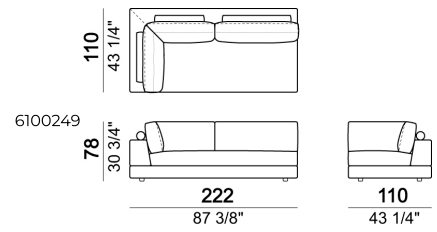
Bookshelf



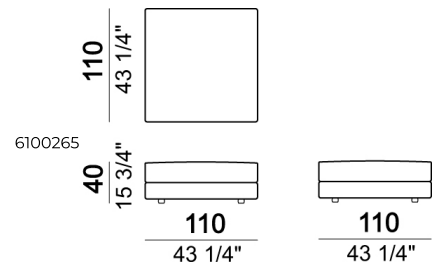
Pouf



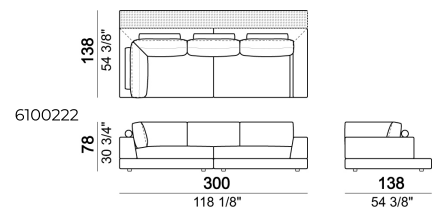
Right or left corner unit



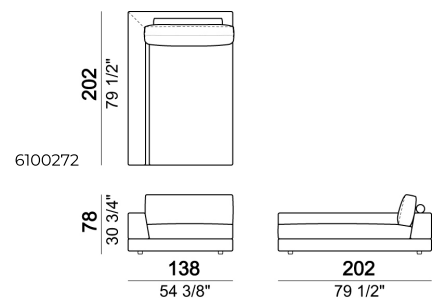
Pouf



Right or left corner sofa with back plat - depth 138 cm.



Relax unit type A 138 cm with right or left full arm



Bookshelf

