

ARKETIPO / INDOOR

# SOFA PLAT 23

*designed by Manzoni e Tapinassi 2004*



**STRUCTURE:** varnished metal.

**FRAME UPHOLSTERY:** multi-density expanded polyurethane (D32PH+D30) covered with synthetic lining.

**SEAT CUSHION UPHOLSTERY:** multi-density expanded polyurethane (D40-memory foam) covered with synthetic lining (Cotherme).

**BACK CUSHION UPHOLSTERY:** expanded polyurethane D30 covered with Dacron 350gr and white cotton lining.

**ROLL UPHOLSTERY:** expanded polyurethane covered with coupled synthetic lining 180gr.

**SPRINGING:** electrowelded mesh.

**SEAT HEIGHT:** 40 cm – 44 cm with feet h.8 cm.

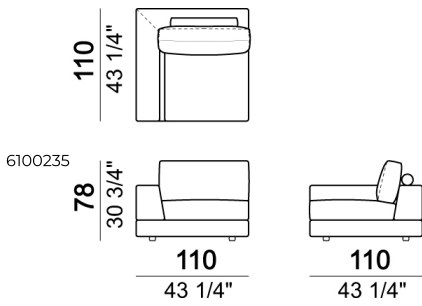
**ARM HEIGHT:** 54 cm.

**FEET:** plastic h.4 cm. The height of the foot can be made 8 cm on request, without extra charge.

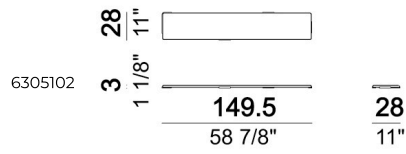
**ACCESSORIES:** bookshelves and trays in marble or in smoked glass.

Metal parts of the marble bookshelves: micaceous brown, oxy grey or black nickel.

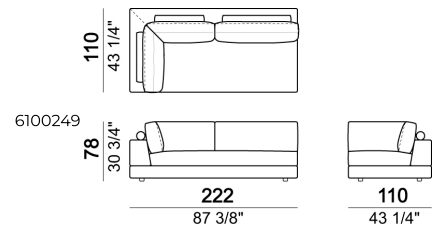
Right or left unit



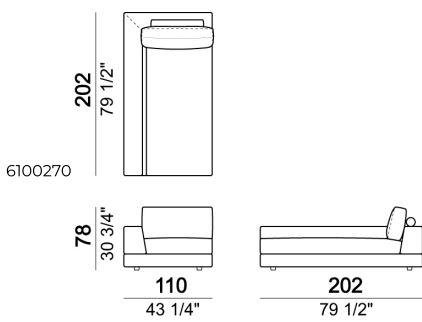
Tray



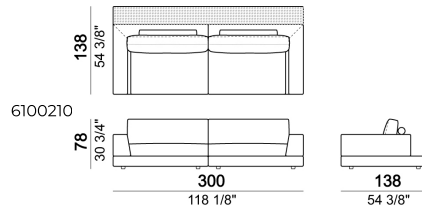
Right or left corner unit



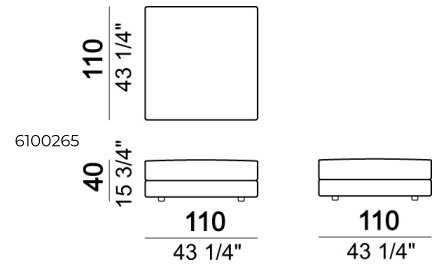
Relax unit type A 110 cm with right or left full arm



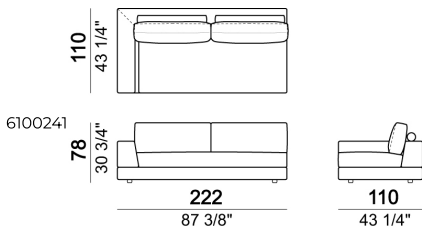
Sofa with back plat - depth 138 cm.



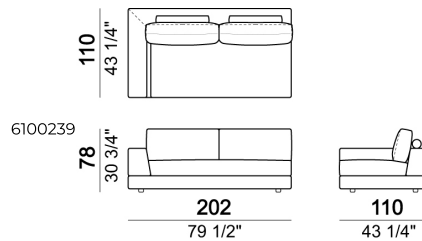
Pouf



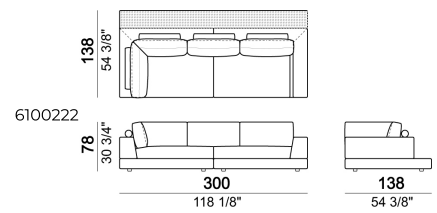
Right or left unit



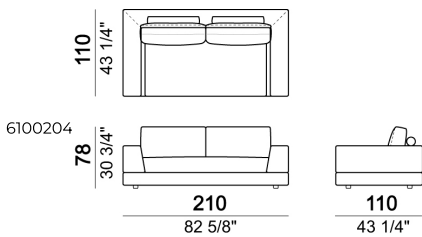
Right or left unit



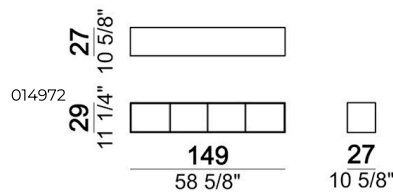
Right or left corner sofa with back plat - depth 138 cm.



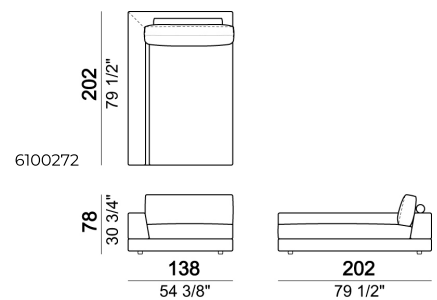
Sofa



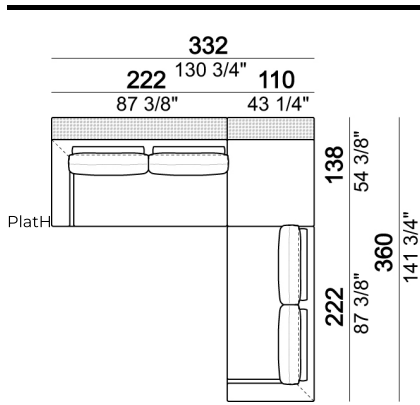
Bookshelf



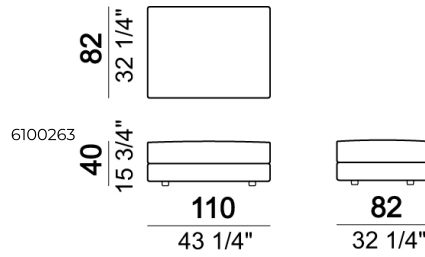
Relax unit type A 138 cm with right or left full arm



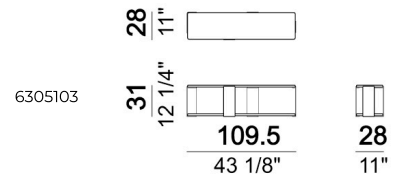
Composition "H" (left unit 222 cm with back plat - depth 138 cm + right unit 222 cm + pouf with side plat).



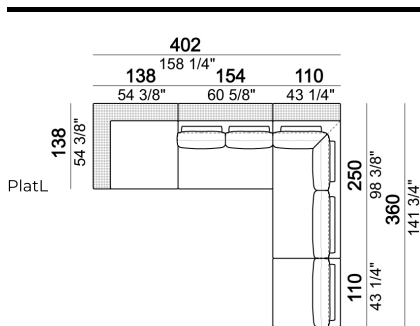
Pouf



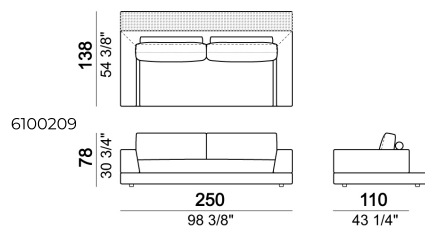
Bookshelf



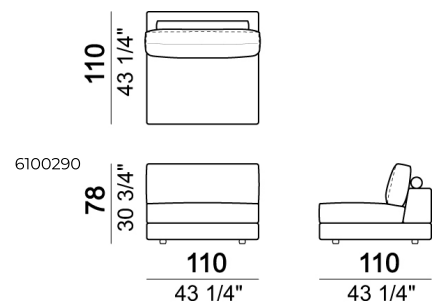
Composition "L" (left corner unit 250 cm with left plat + pouf with corner plat + central unit 110 cm + central unit 154 cm with back plat).



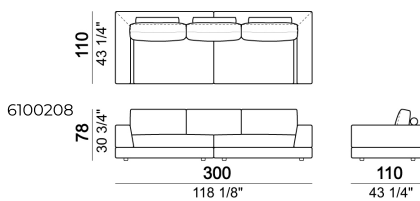
Sofa with back plat - depth 138 cm.



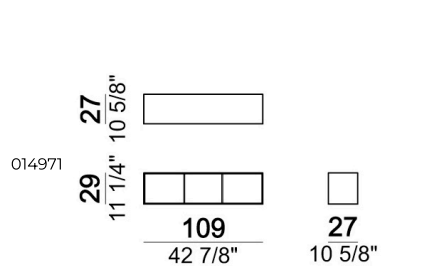
Central unit



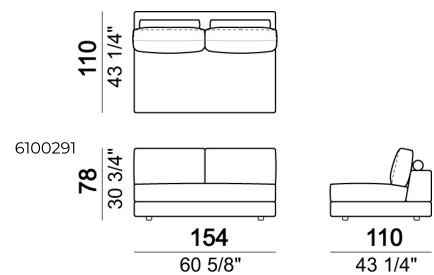
Sofa



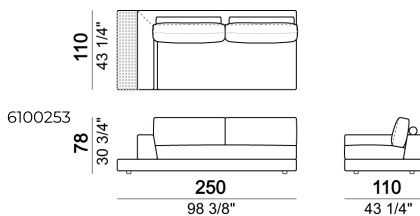
Bookshelf



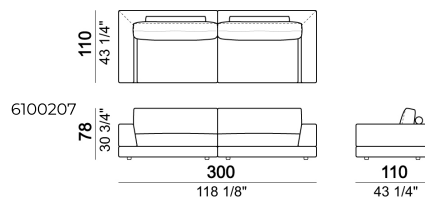
Central unit



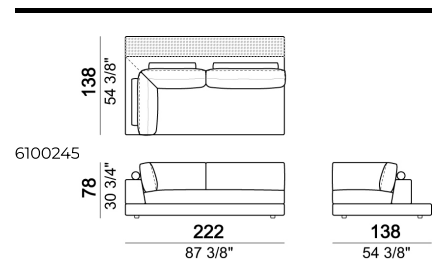
Unit with right or left arm and plat



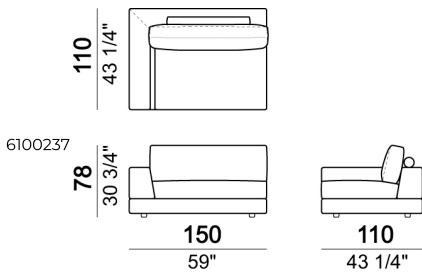
Sofa



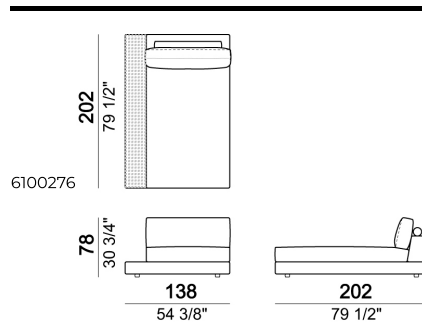
Right or left corner unit with back plat - depth 138 cm.



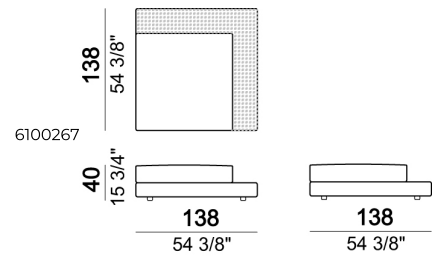
Right or left unit



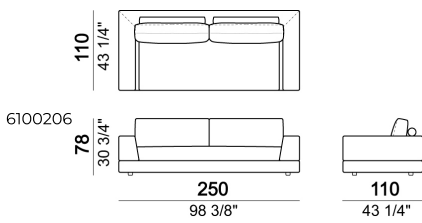
Relax unit type B 138 cm with right or left plat



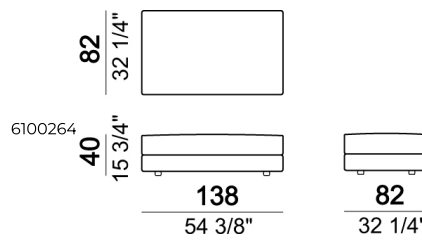
Pouf with corner plat



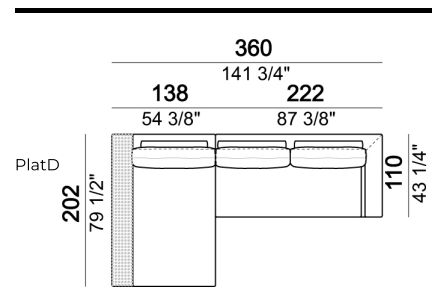
Sofa



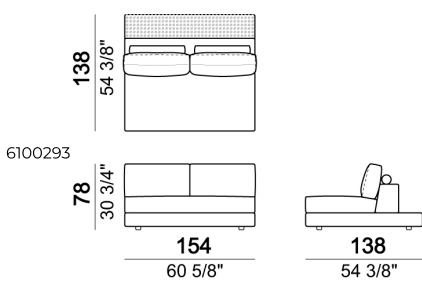
Pouf



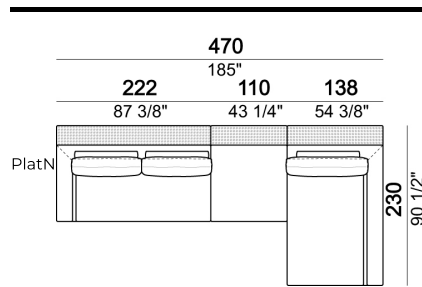
Composition "D" (Relax unit type B 138 cm with left plat + right unit 222 cm).



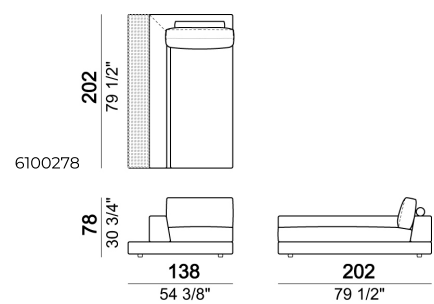
Central unit with back plat - depth 138 cm.



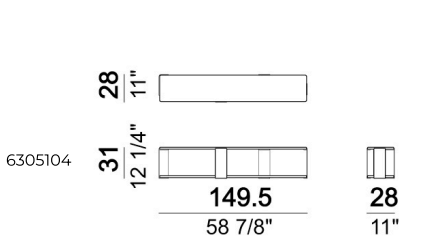
Composition "N" (left unit 222 cm with back plat - depth 138 cm + pouf with side plat + Relax unit type D 138 cm with right full arm and back plat).



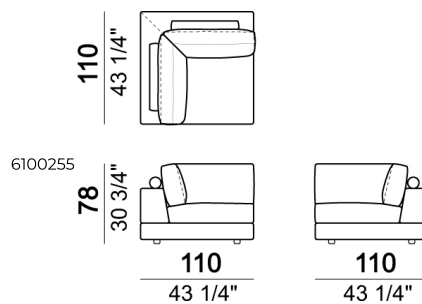
Relax unit type C 138 cm with right or left full arm and right or left plat.



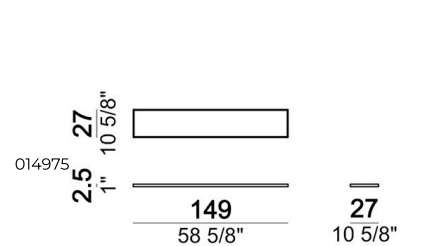
Bookshelf



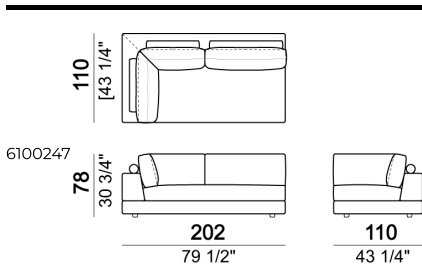
Square corner



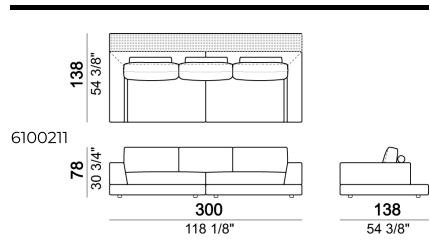
Tray



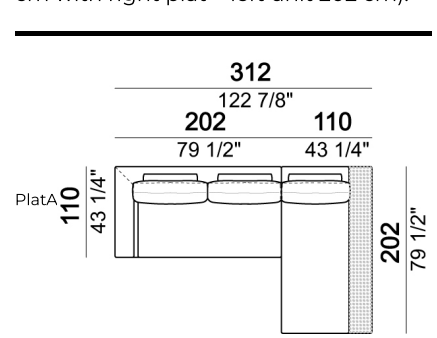
Right or left corner unit



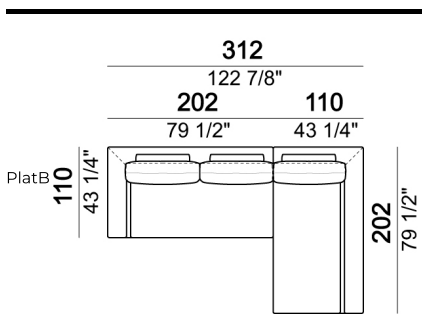
Sofa with back plat - depth 138 cm.



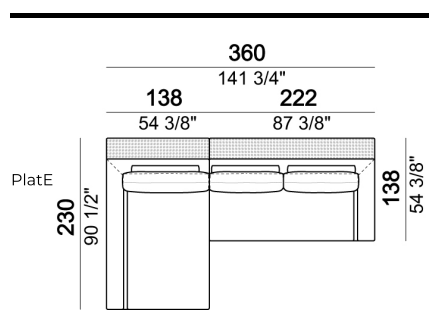
Composition "A" (Relax unit type B 110 cm with right plat + left unit 202 cm).



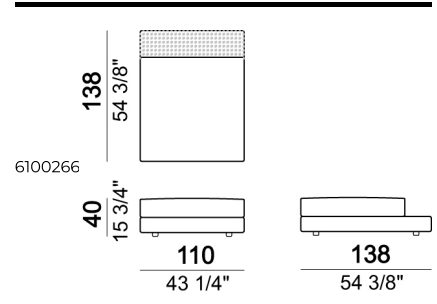
Composition "B" (Relax unit type A 110 cm with right full arm + left unit 202 cm).



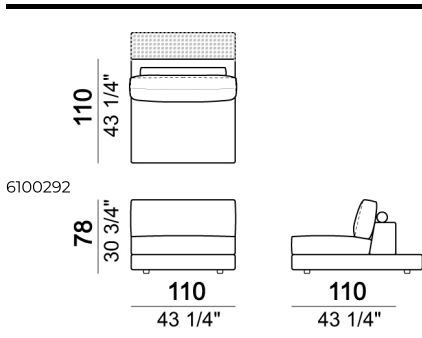
Composition "E" (Relax unit type D 138 cm with left full arm and back plat + right unit 222 cm with back plat - depth 138 cm).



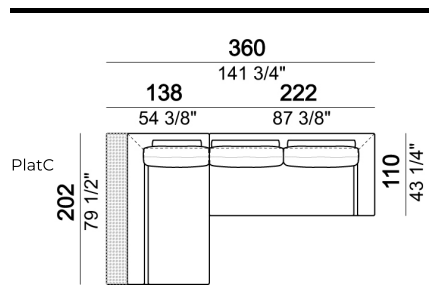
Pouf with side plat



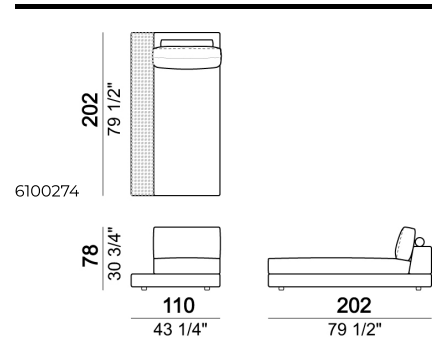
Central unit with back plat - depth 138 cm.



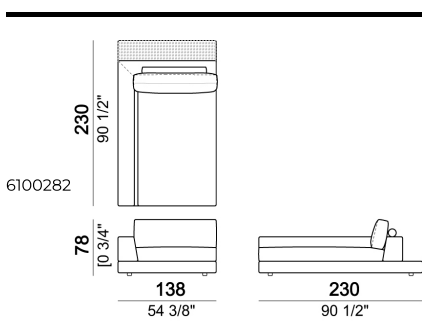
Composition "C" (Relax unit type C 138 cm with left full arm and plat + right unit 222 cm).



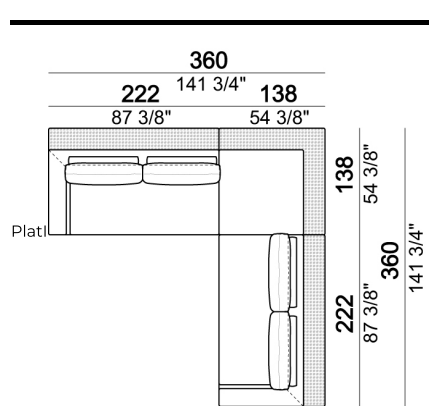
Relax unit type B 110 cm with right or left plat



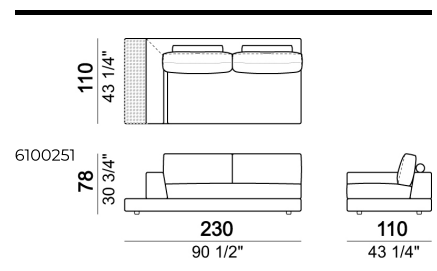
Relax unit type D 138 cm with right or left full arm and back plat.



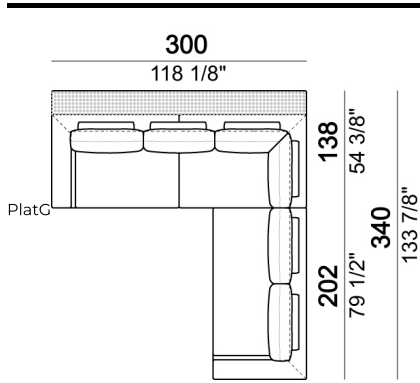
Composition "I" (Right unit 222 cm with back plat - depth 138 cm + left unit 222 cm with back plat - depth 138 cm + pouf with corner plat).



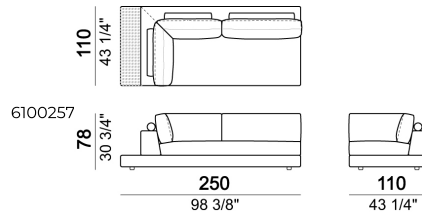
Unit with right or left arm and plat



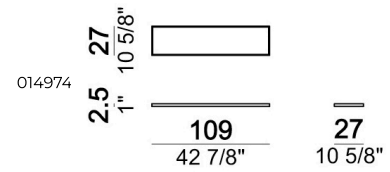
Composition "G" (Right corner sofa with back plat - depth 138 cm + right unit 202 cm).



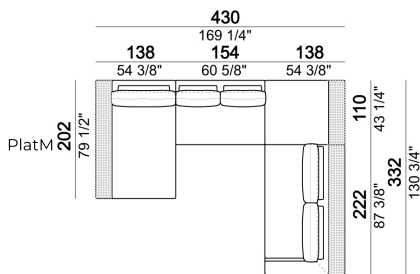
Right or left corner unit with plat



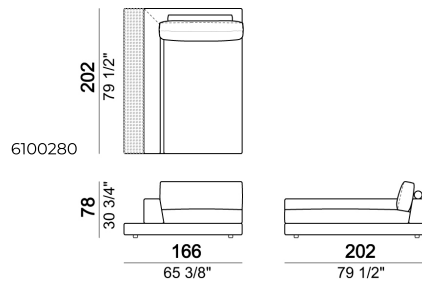
Tray



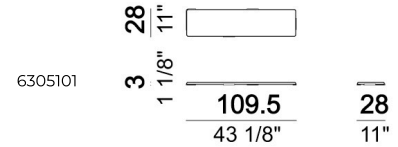
Composition "M" (right unit 222 cm with back plat - depth 138 cm + pouf with side plat + central unit 154 cm + Relax unit type B 138 cm with left plat).



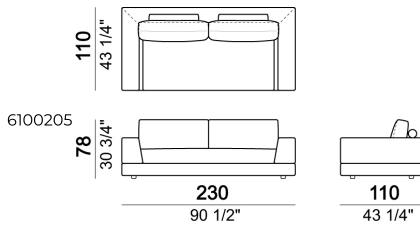
Relax unit type C 166 cm with right or left full arm and plat



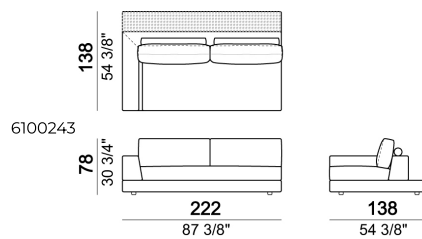
Tray



Sofa



Right or left unit with back plat - depth 138 cm.



Right or left corner sofa with back plat - depth 138 cm.

