

ARKETIPO / INDOOR

# SOFA PLAT

*designed by Manzoni e Tapinassi 2004*



**STRUCTURE:** varnished metal.

**FRAME UPHOLSTERY:** multi-density expanded polyurethane (D32PH+D30) covered with synthetic lining.

**SEAT CUSHION UPHOLSTERY:** multi-density expanded polyurethane (D40-memory foam) covered with synthetic lining (Cotherme).

**BACK CUSHION UPHOLSTERY:** expanded polyurethane D30 covered with Dacron 350gr and white cotton lining.

**ROLL UPHOLSTERY:** expanded polyurethane covered with coupled synthetic lining 180gr.

**SPRINGING:** electrowelded mesh.

**SEAT HEIGHT:** 40 cm – 44 cm with feet h.8 cm.

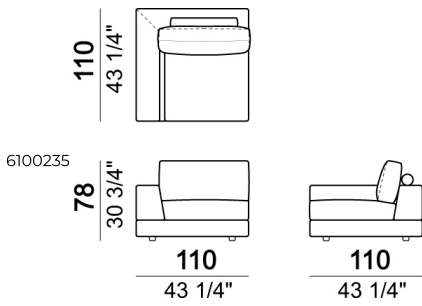
**ARM HEIGHT:** 54 cm.

**FEET:** plastic h.4 cm. The height of the foot can be made 8 cm on request, without extra charge.

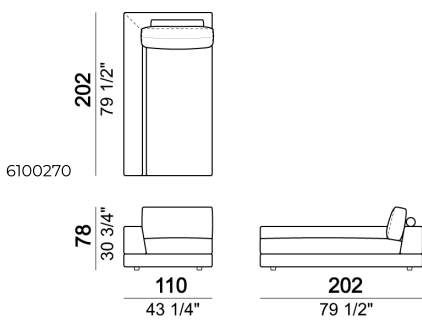
**ACCESSORIES:** bookshelves and trays in marble or in smoked glass.

Metal parts of the marble bookshelves: micaceous brown, oxy grey or black nickel.

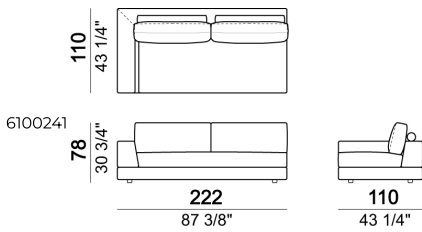
Right or left unit



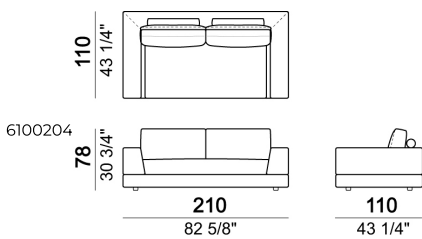
Relax unit type A 110 cm with right or left full arm



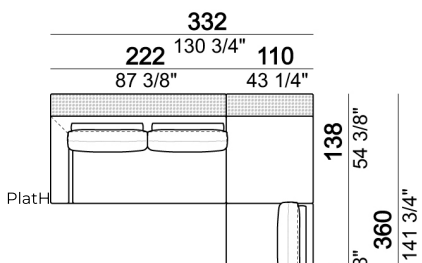
Right or left unit



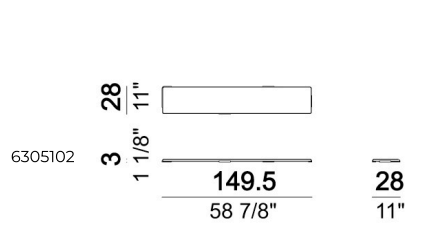
Sofa



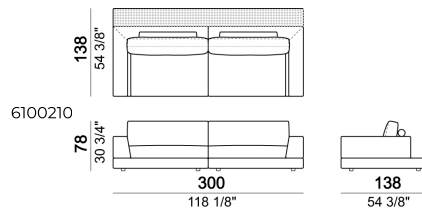
Composition "H" (left unit 222 cm with back plat - depth 138 cm + right unit 222 cm + pouf with side plat).



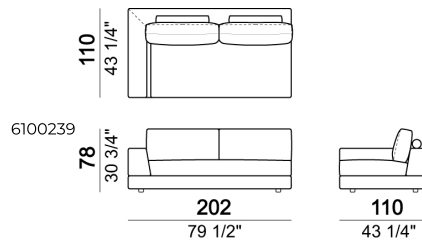
Tray



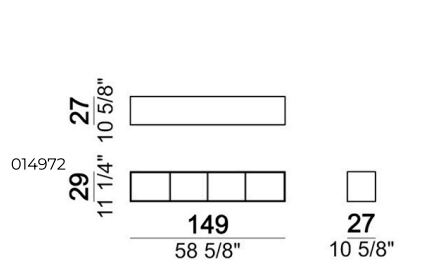
Sofa with back plat - depth 138 cm.



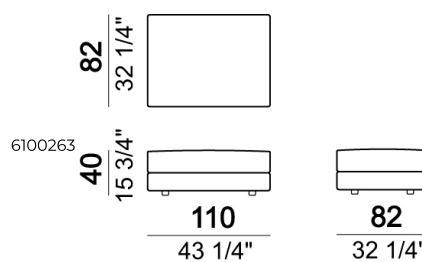
Right or left unit



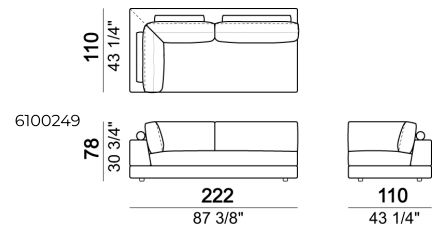
Bookshelf



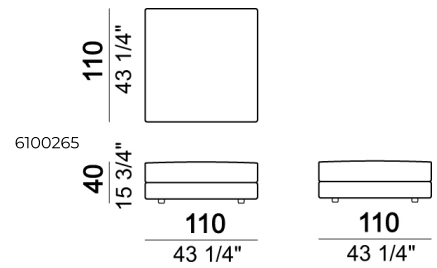
Pouf



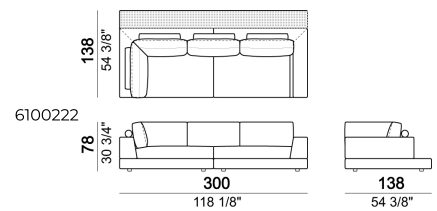
Right or left corner unit



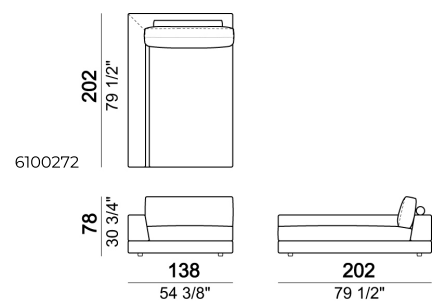
Pouf



Right or left corner sofa with back plat - depth 138 cm.



Relax unit type A 138 cm with right or left full arm



Bookshelf

